

WIZARD ARM W225 C

LIFTKON

Liftkon develops electronical rope balancers for manual handling technique, designed for rail systems or mounted on columns. The portfolio offers various weight categories as well as arm lengths for individual applications.

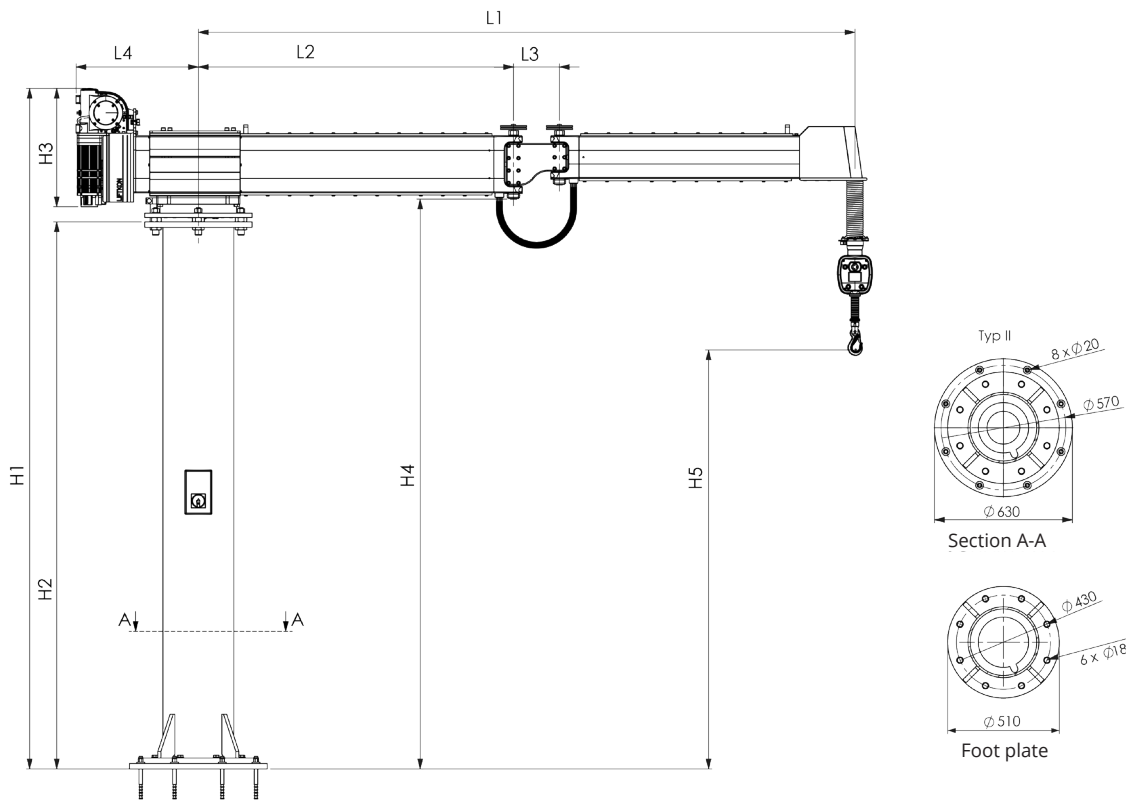


Details make Wizard unique and you can benefit from it.

- Ergonomic design with aluminium arm.
- Middle hinge as a standard.
This middle hinge, integrated as a standard, interconnects the arm segments. This allows to reach really every point within the operating radius.
- Electric and pneumatic rotary is optionally installed on the operating handle and at the column.
- Programmable inputs/outputs (I/Os) on the control head and drive.
- Customized software solutions.
The software can be flexibly adapted to individual requirements.

WIZARD ARM W225 C

LIFTKON



| mm Type | L1 | L2 | L3 | L4 | H1 | H2 Column height (Standard) | H3 | H4 | H5 max. | Mobil base plate 1.500 x 1.500 mm (x = optional) | Load distribution plate (required for floor mounting) |
|------------|-------|-------|-----|-----|-------|-----------------------------------|-----|-------|------------|--|--|
| W225 C | 2.500 | 1.190 | 210 | 585 | 3.106 | 2.500 | 520 | 2.605 | 1.890 | x | Type 2 |
| | 3.000 | 1.440 | | | | | | | | on request | Type 2 |
| | 3.500 | 1.690 | | | | | | | | on request | Type 2 |

| Technical Data W225 C | |
|-----------------------|---|
| Load capacity | max. 225 kg |
| Load capacity | 230 V / 1.900 VA / single phase / 10 A / Typ C |
| Drive | Servomotor |
| Lifting speed | max. 392 mm/s |
| Swivel arm | Light swivel arm (with middle hinge) of anodized aluminium profiles; optional special lengths available. |
| Column | Vertical column made of tubular steel in standard height H2=2.500mm; optional column heights available. |
| Up / Down movement | The ups and downs are initiated by the operating handle of the operating unit. Upon release the handle motion is immediately stopped. |
| Installation | Floor mounting with floor anchors (6x M16 – see drilling diagram); our recommendation HIT-Z-D Hilti (chem. anchor with dynamic set) OR screw fitting on mobile base plate. Ground condition: cracked and non-cracked concrete min. C20/25, max. C50/60 (B25-B55), min. 170 mm thick. |

LIFTKON GmbH
 Kanalstraße 25 • 73061 Ebersbach/Fils
 Telefon +49 (0)7163 99883-00 • Telefax +49 (0)7163 99883-01
 info@liftkon.de • www.liftkon.de

Liftkon GmbH disclaims all responsibilities for correctness and completeness for the information published in this document and reserves the right to make changes at any time.