

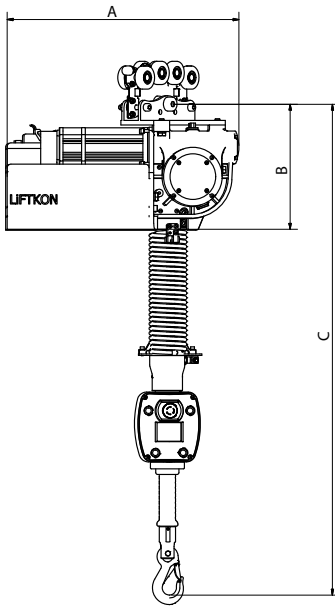
Liftkon develops electronical rope balancers for manual handling technique, designed for rail systems or mounted on columns. The portfolio offers various weight categories as well as arm lengths for individual applications.



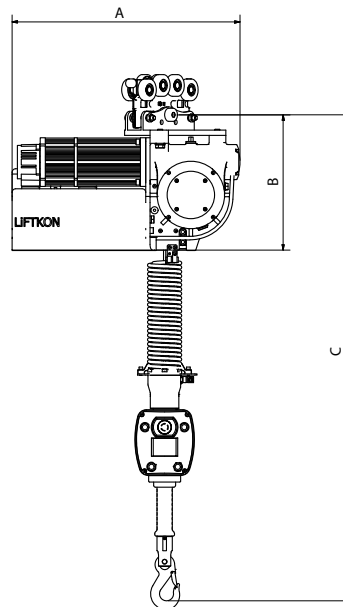
Details make Wizard unique... ..and you can benefit from it.

- Ergonomic design with low system weight.
- Electric and pneumatic rotary union is optionally installed on the operating handle.
- Programmable inputs/outputs (I/Os) on the control head and drive.
- Customized software solutions. The software can be flexibly adapted to individual requirements.
- One running trolley only. Specific design allows the use of one trolley only. This reduces costs and installation effort.

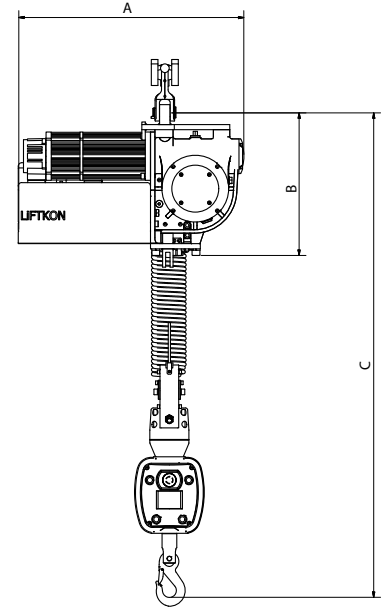
W75 R - W150 R



W225 R - W300 R



W600 R



## W75 R / W150 R / W225 R / W300 R / W600 R

Type	A [mm]	B [mm]	C [mm]	Load capacity [kg]	Power supply	Max. Lifting speed [mm/s]	Unit weight [kg]
W75 R	498	269	985	75	230 V / 1.700 VA / single-phase / 10 A / Typ C	650	31
W150 R	498	269	985	150	230 V / 1.700 VA / single-phase / 10 A / Typ C	392	31
W225 R	520	309	1025	225	230 V / 1.900 VA / single-phase / 10 A / Typ C	392	41
W300 R	520	309	1025	300	230 V / 1.900 VA / single-phase / 10 A / Typ C	327	41
W600 R	520	329	1118	600	230 V / 2.300 VA / single-phase / 10 A / Typ C	164	55

### More technical data

Drive	Servomotor
Up / Down movement	The ups and downs are initiated by the operating handle of the operating unit. Upon release the handle motion is immediately stopped.
Installation	In all types of rail systems.
Notice!	Type W600 R has an external handle.

LIFTKON GmbH

Kanalstraße 25 • 73061 Ebersbach/Fils

Telefon +49 (0)7163 99883-00 • Telefax +49 (0)7163 99883-01

info@liftkon.de • www.liftkon.de

Liftkon GmbH disclaims all responsibilities for correctness and completeness for the information published in this document and reserves the right to make changes at any time.